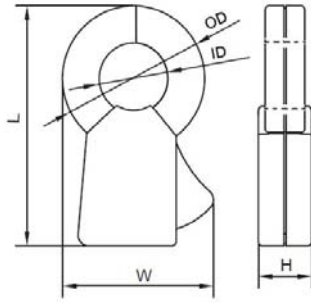


CTCL02 Series



Electrical Characteristic						Mechanical Dimension				
Part No.	I_R (A)	Vout (V)	Acc.Class (%)	Frequency (Hz)	Sendary load (Ω)	ID	W	H	L	OD
						mm / inch				
CTCL02-25-101-31N	100	0.333, 1, 5	1	50-400	$\geq 100K$	25.0 0.98	50.0 1.97	19.5 0.77	87.0 3.43	52.0 2.05

Definition:

I_R : Rated Current

Acc.Class: Accuracy class.

Remark:

1. Frequency 50Hz/60Hz.
2. Operating temperature: -25°C~70°C.
3. All current ,voltage refer to rms value.
4. RoHS compliant.
5. Dielectric Resistance : 1000M Ω @ 500 Vdc
6. High Potential : 2500V/min
7. Case Material : ABS.
8. Voltage Rank : 600Vac (isolated condition) , 30Vac (bareness condition)