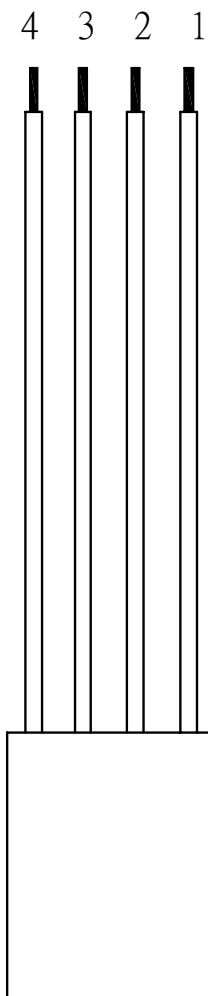
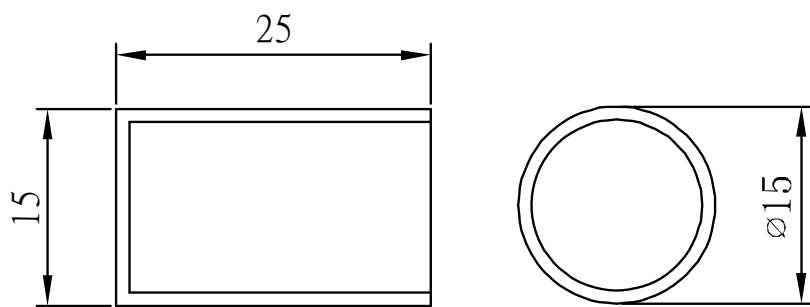


IAC03 - 215 Series

Electrical Characteristic				Mechanical Dimensions	
Part No.	Input Voltage (AC V)	Output Voltage (KV)	Power Consumption Max. (W)	mm/inch	
				L (max)	φ (max)
IAC03-215-100-40	100 , 60Hz	-4.0 ± 1.0 (1GΩ)	0.8	<u>25.0</u> 9.8	<u>15.0</u> 5.9
IAC03-215-125-40	125 , 60Hz	-4.0 ± 1.0 (1GΩ)	0.8		
IAC03-215-230-40	230 , 50/60Hz	-4.0 ± 1.0 (1GΩ)	0.8		



1. Input UL1430 AWG26
2. Input UL1430 AWG26
3. Ground UL1430 AWG26
4. Output UL3239 AWG28 105°C 6KVDC
Silicon Rubber Wire



DIMENSION:
UNIT : mm