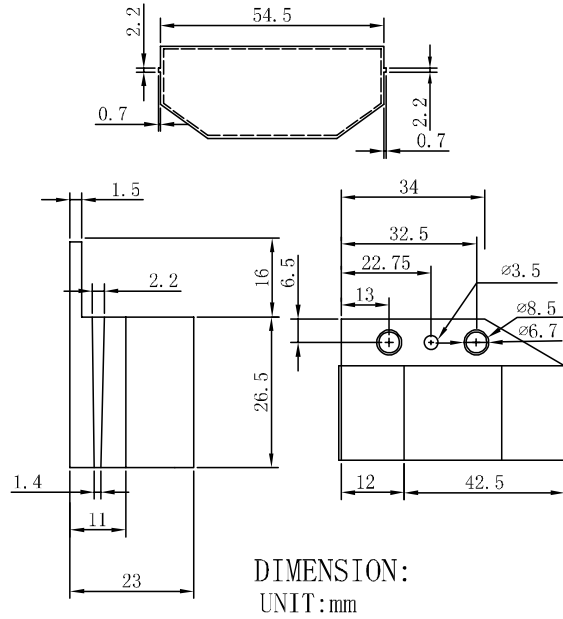
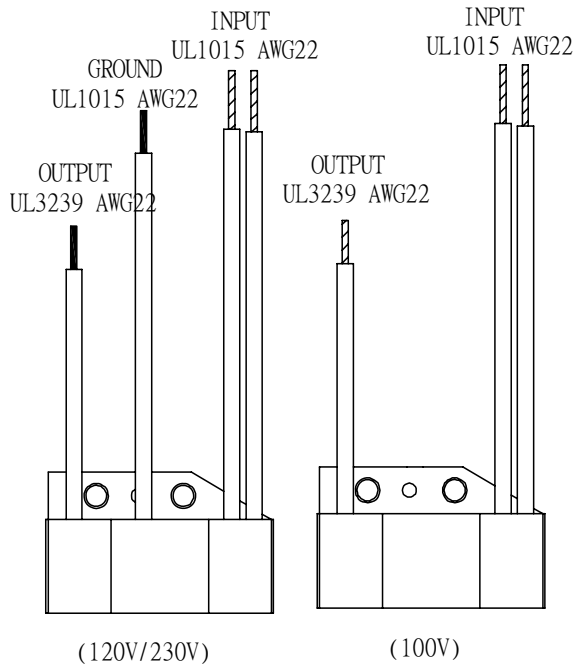


IAC05 - 524 Series

Electrical Characteristic						Mechanical Dimensions		
Part No.	Input Voltage (AC V)	Output Voltage (KV)	Power Consumption Max. (W)	Input Current (mA)	Insulation Resistance (MΩ)	mm/inch		
						L (max)	W (max)	H (max)
IAC05-524-100-65	100, 50/60Hz	-6.5 ± 0.5 (1GΩ)	0.5	---	>10	55.0 21.7	23.0 9.1	42.5 16.7
IAC05-524-120-65	120, 50/60Hz	-6.5 ± 0.5 (1GΩ)	---	<10	>10			
IAC05-524-230-65	230, 50/60Hz	-6.5 ± 0.5 (1GΩ)	---	<10	>20			



Remark :

AC Hi-Pot : 1800V 60Hz for 3sec. <10mA