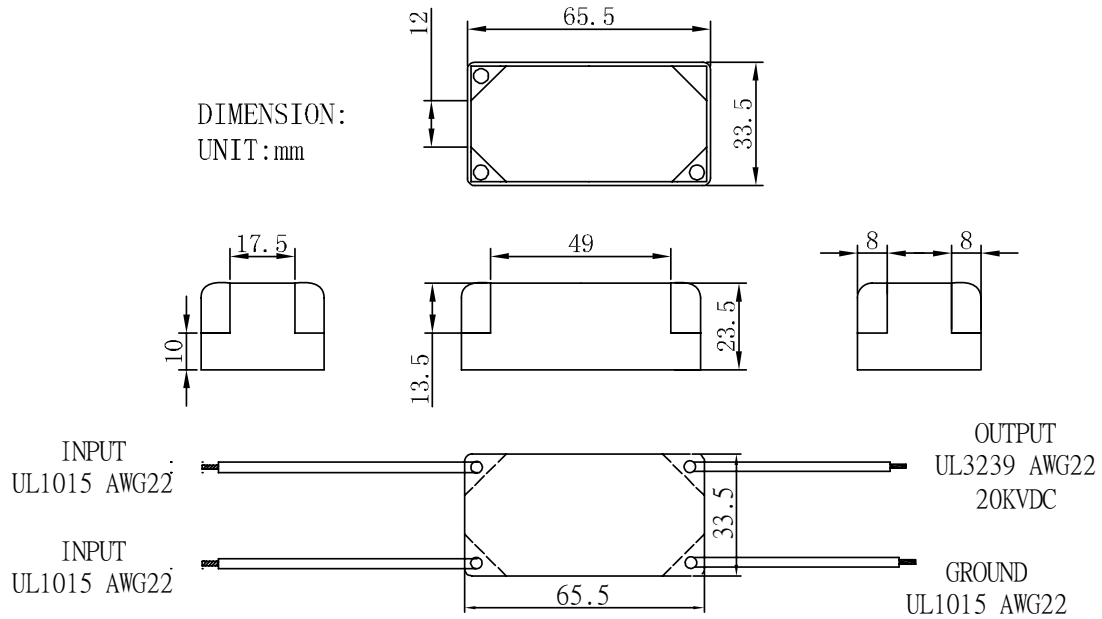


IAC06 - 632 Series

Electrical Characteristic						Mechanical Dimensions		
Part No.	Input Voltage (AC V)	Output Voltage (KV)	Input Current (mA)	Output Current (μ A)	Insulation Resistance (M Ω)	mm/inch		
						L (max)	W (max)	H (max)
IAC06-632-100-65	100 , 50/60 Hz	-6.5 \pm 0.5 (1G Ω)	<10	6 (1G Ω),1 (10G Ω)	>10	<u>65.5</u> 25.8	<u>33.5</u> 13.2	<u>23.5</u> 9.3
IAC06-632-120-65	120 , 50/60Hz	-6.5 \pm 0.5 (1G Ω)	<10	6 (1G Ω),1 (10G Ω)	>10			
IAC06-632-230-65	230 , 50/60Hz	-6.5 \pm 0.5 (1G Ω)	<10	6 (1G Ω),1 (10G Ω)	>20			



Remark :

AC Hi-Pot : 1800V 60Hz for 3sec. <10mA