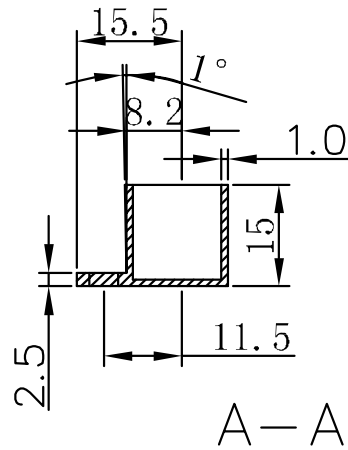
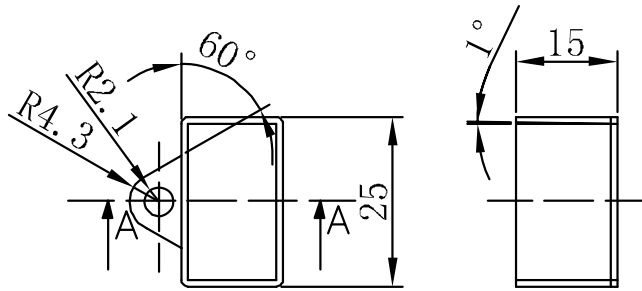


IAC07 - 211 Series

Electrical Characteristic				Mechanical Dimensions		
Part No.	Input Voltage (AC V)	Output Voltage (KV)	Power Consumption Max. (W)	mm/inch		
				L (max)	W (max)	H (max)
IAC07-211-110-25	110 , 50/60Hz	-2.5 ± 0.5 (1GΩ)	0.8	<u>25.0</u> 9.8	<u>15.0</u> 5.9	<u>15.0</u> 5.9
IAC07-211-125-30	125 , 50/60Hz	-3.0 ± 1.0 (1GΩ)	0.8			
IAC07-211-220-25	220 , 50/60Hz	-2.5 ± 0.5 (1GΩ)	0.8			



DIMENSION:
UNIT: mm

