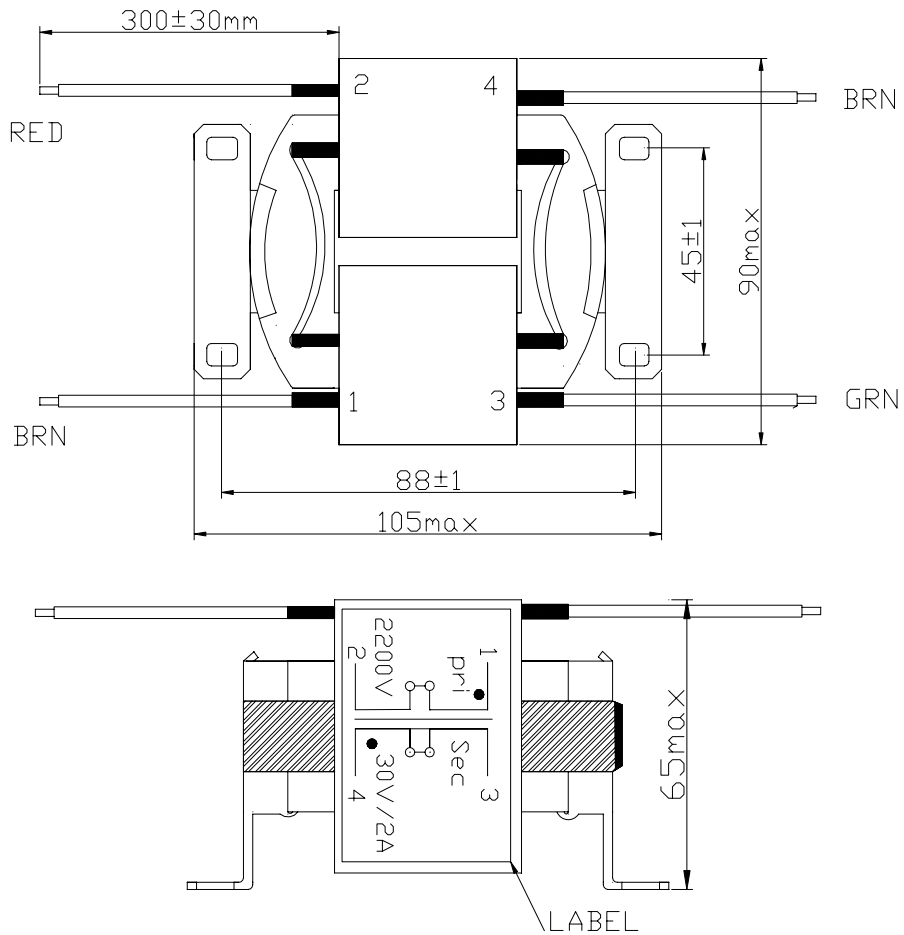


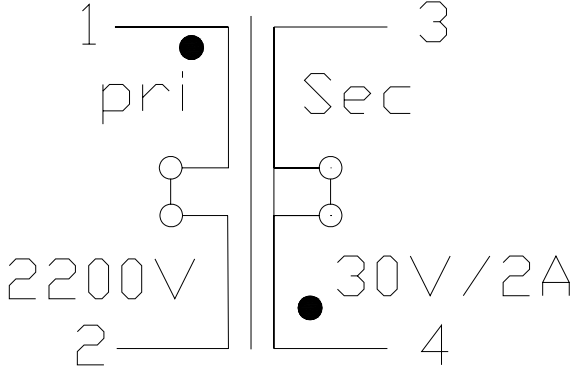
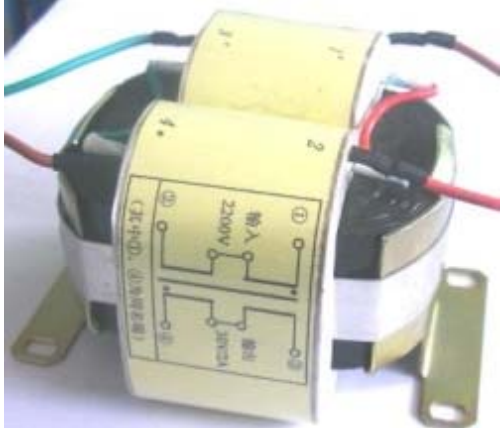


RoHS COMPLIANT

Part No. TF00-0060-221S

Mechanical Dimensions in mm:



<p>Test Circuit:</p> 	<p>Photo:</p> 
---	---

Electrical Specifications

Input V/PIN	Pri Current No Load(Io)	Sec Voltage No Load(Vo)	Sec Voltage No Load(Vo)	Sec rated Voltage (Vi)	Rated Current
1----2	1----2	3----4	/	3----4	3----4
2200V/AC	10mA max	35V±5%	/	30V±5%	2.0 A

Insulation temperature: Class A

HI-POT:

APPLY AC 4000v. 5mA /1min BETWEEN PRI. TO SEC. FOR ONE MINUTE

INSULATION RESISTANCE:

APPLY DC 500v BETWEEN PRI TO SEC. FOR 1 MINUTE 100M OHM MIN